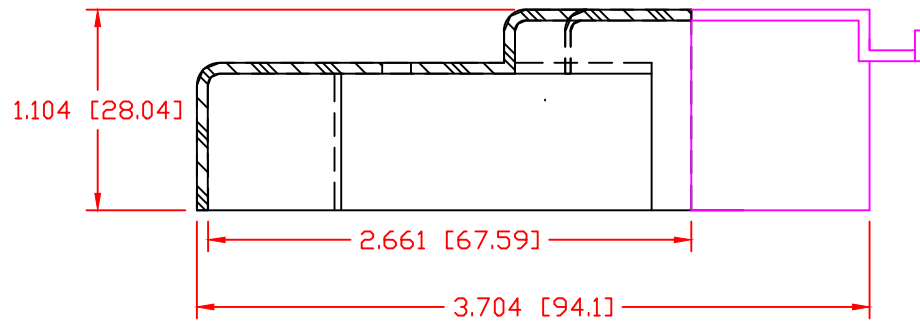
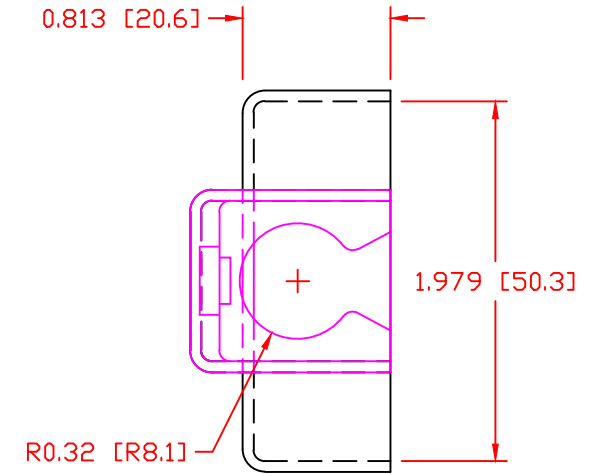
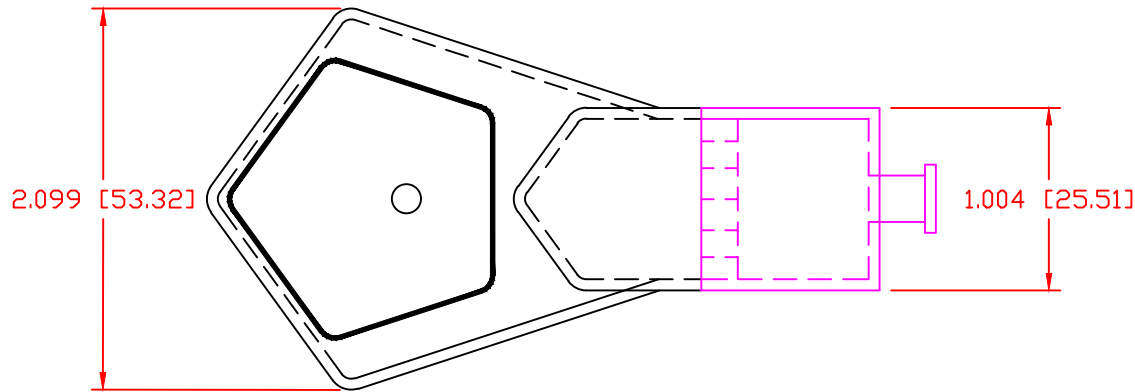


THE INFORMATION CONTAINED IN THIS DRAWING IS THE SOLE PROPERTY OF VTE INCORPORATED. ANY REPRODUCTION IN PART OR WHOLE WITHOUT THE WRITTEN PERMISSION OF VTE INCORPORATED IS PROHIBITED. VTE MAKES NO WARRANTY, EXPRESSED OR IMPLIED, AS TO THE SUITABILITY OF A PRODUCT FOR ANY INTENDED USE. THE CUSTOMER SHALL BEAR THE SOLE RESPONSIBILITY OF DETERMINING THE SUITABILITY OF ANY VTE PRODUCT FOR ITS END USE.


| LTR. | REVISIONS | DATE | INT. |
|------|--------------------------------------|----------|------|
| △ | ADDED WALL SECTION AT REAR OF SHROUD | 06-04-99 | BRH |



ALL DIMENSIONS GIVEN AS: In [mm]
 MOLDED PARTS: ±.030" [±0.8mm]
 HARDWARE ITEMS: ±.010" [±0.25mm]

| | |
|------------------------------|-----------------------|
| VTE PART NO: | 1101900102 |
| MATERIAL: | PVC |
| VENDOR PART NO: | 9812-95-RED 683 |
| SHORE DUROMETER: | "A" 10 SEC. 95 |
| SPECIFIC GRAVITY: | 1.49 |
| ULT. ELONGATION %: | 200 |
| MELTING TEMP: | 345-365 F [174-185 C] |
| TENSILE STRENGTH PSI: | 2100 |
| DIELECTRIC STRENGTH, V./mil: | 438 |
| U.L. RATING: | V2 |

DO NOT SCALE

| | | | | |
|---|--|---|---------------|-------------------|
|  | | VTE Incorporated 5437 Robinson Road, P.O. Box 790 Pellston, Michigan 49769 Telephone: 1-800-527-9256, 231-539-8000 FAX: 231-539-0914 | | |
| | | REF: | DATE: | DRN BY: BRH |
| CUSTOMER DIMS | | 06-15-99 | CHK'D BY: BRH | .035 LBS [15.9 g] |
| TITLE: BATTERY TERMINAL INSULATOR | | | | |
| MATERIAL: PVC | | | PART NO. | |
| COLOR: RED | | | 436N7V02 | |
| | | DRG CLASS | | |