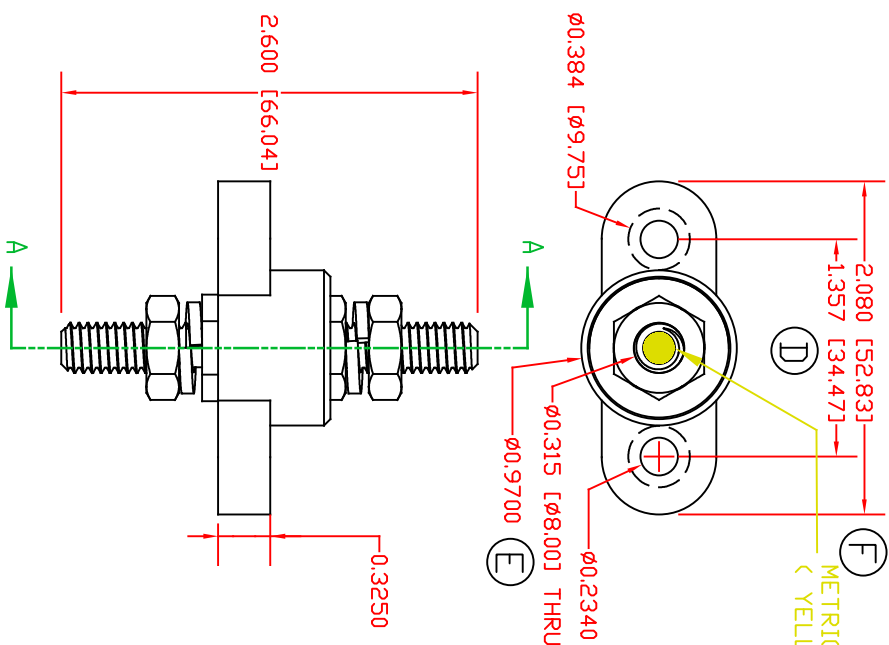
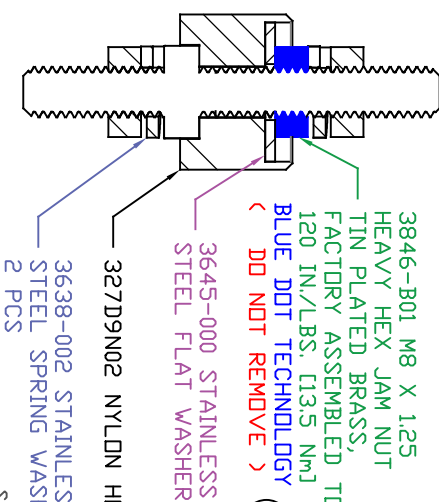


THE INFORMATION CONTAINED IN THIS DRAWING IS THE SOLE PROPERTY OF VTE INCORPORATED. ANY REPRODUCTION IN PART OR WHOLE WITHOUT THE WRITTEN PERMISSION OF VTE INCORPORATED IS PROHIBITED. VTE MAKES NO WARRANTY, EXPRESSED OR IMPLIED, AS TO THE SUITABILITY OF A PRODUCT FOR ANY INTENDED USE. THE CUSTOMER SHALL BEAR THE SOLE RESPONSIBILITY OF DETERMINING THE SUITABILITY OF ANY VTE PRODUCT FOR ITS END USE.



SECTION A-A

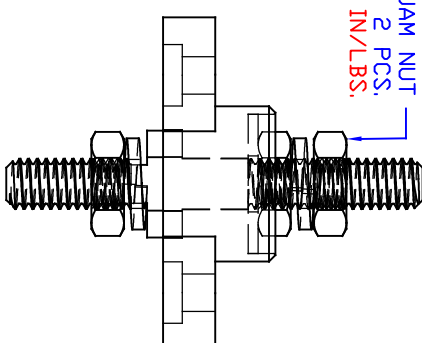


3744-007 NICKEL  
PLATED BRASS  
THREADED BOTH ENDS

3846-B01 M8 X 1.25  
HEAVY HEX JAM NUT  
TIN PLATED BRASS,  
FACTORY ASSEMBLED TO  
120 IN./LBS. (13.5 Nm)  
BLUE DOT TECHNOLOGY  
< DD NDT REMOVE >

3645-000 STAINLESS  
STEEL FLAT WASHER  
327D9N02 NYLON HOUSING  
3638-002 STAINLESS  
STEEL SPRING WASHER,  
2 PCS

3846-003 M8 X 1.25  
HEAVY HEX JAM NUT  
STAINLESS STEEL, 2 PCS.  
< MAX TORQUE 102 IN./LBS.  
(11.5 Nm) >



INCLUDES P-16808110001 BLUE DOT MULTI LABEL, 1 PER CONTAINER

MATERIAL PART NO:  
MATERIAL:  
VENDOR PART NO:  
SPECIFIC GRAVITY:  
MELTING TEMP:  
UL. RATING:

7111210502  
GLASS FILLED NYLON  
HYLON N2015 HL NAT  
1.23  
515 F [268 C]  
UL 94 HB

CURRENT CARRYING CAPACITY:

<325 AMP @ 12VDC>

LTR	REVISIONS	DATE	INT.
A	REVISED PART # 3646-001 TO PART # 3846-001	3-15-17	RAS
B	UPDATED PART NUMBER FROM 327D9N02	4-27-17	RAS
C	UPDATED PART NUMBER FROM 3846-001	6-01-17	RAS
D	UPDATED DIMENSION FROM 1.314	7-27-17	RAS
E	UPDATED DIMENSION FROM .990	7-27-17	RAS
F	UPDATED DIMENSION FROM 2.054	7-27-17	RAS
G	UPDATED MATERIAL PART #	9-08-17	RAS
H	ADDED ELECTRICAL VALUES	6-21-19	RAS
I	UPDATED TORQUE VALUES	07-01-20	EJE
J	UPDATED BASE P/N FROM 327D5	8-23-21	RAS
K	UPDATED ELECTRICAL VALUES	10-18-22	RAS
L	327D5 WAS 327D9	6-03-24	RAS
M	REPLACED 3744-003 WITH 3744-007	8-2-24	RAS
N	REPLACED 327D5 WITH 327D9	8-12-24	RAS

SCALE FACTOR : NONE  
ALL DIMENSIONS GIVEN AS: mm (IN)  
TOLERANCES UNLESS OTHERWISE SPECIFIED :  
MOLDED PARTS: ±0.30° (±0.8mm)  
HARDWARE ITEMS: ±.010° (±0.25mm)



VTE Incorporated  
5437 Robinson Road, P.O. Box 790  
Pellston, Michigan 49769  
Telephone: 1-800-527-9256, 231-539-8000  
FAX: 231-539-0914

REF1	DATE: 8-27-21	DRN BY: RAS	WEIGHT:
		CHK'D BY: PJK	

TITLE: M8 PASSTHROUGH JUNCTION STUD

MATERIAL: GLASS FILLED NYLON

PART NO. 77208N02

COLOR: RED DRG CLASS REV N