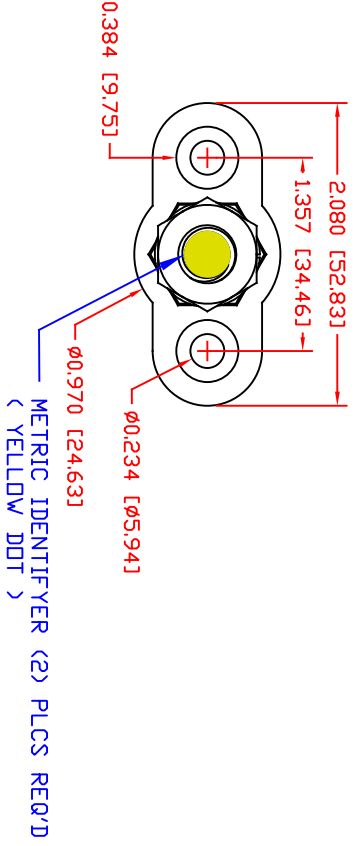
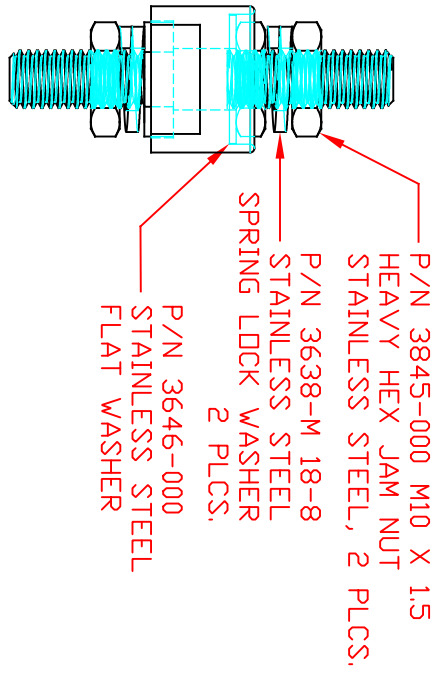
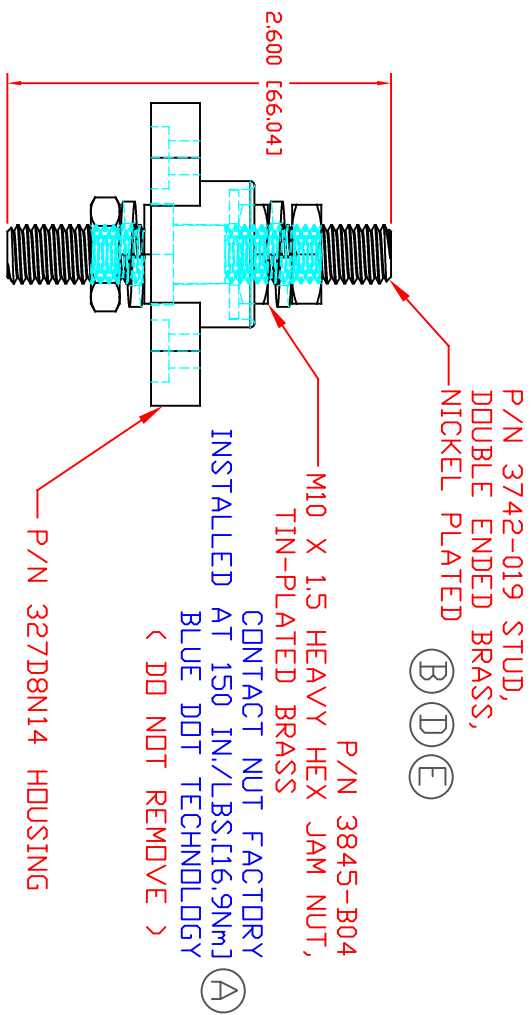


THE INFORMATION CONTAINED IN THIS DRAWING IS THE SOLE PROPERTY OF VTE INCORPORATED. ANY REPRODUCTION IN PART OR WHOLE WITHOUT THE WRITTEN PERMISSION OF VTE INCORPORATED IS PROHIBITED. VTE MAKES NO WARRANTY, EXPRESSED OR IMPLIED, AS TO THE SUITABILITY OF A PRODUCT FOR ANY INTENDED USE. THE CUSTOMER SHALL BEAR THE SOLE RESPONSIBILITY OF DETERMINING THE SUITABILITY OF ANY VTE PRODUCT FOR ITS END USE.

LR.	REVISIONS	DATE	INT.
A	UPDATED TORQUE VALUE	7-01-20	EJE
B	3739-008 WAS 3742-017	8-18-21	RAS
C	UPDATED ELECTRICAL VALUES	10-18-21	RAS
D	3742-017 WAS 3739-008	1-3-23	RAS
E	3742-019 WAS 3742-017	1-28-25	RAS



MATERIAL PART NO: 111210514UL
 MATERIAL: GLASS FILLED NYLON
 VENDOR PART NO: HYLON N2015 HL BK
 SPECIFIC GRAVITY: 1.23
 MELTING TEMP: 515 F [268 C]
 UL RATING: UL 94 HB

INCLUDES P-16808110001 BLUE DOT MULTI LABEL, 1 PER CONTAINER
 MAXIMUM RECOMMENDED FASTENER TORQUE: 127 IN./LBS. [14.3 Nm]
 MAXIMUM AMPERAGE: 375 AMPS AT 12 VDC

SCALE FACTOR: NONE
 ALL DIMENSIONS GIVEN AS: IN [mm]
 TOLERANCES UNLESS OTHERWISE SPECIFIED:
 MOLDED PARTS: ±.030" [±0.8mm]
 HARDWARE ITEMS: ±.010" [±0.25mm]

VTE Incorporated
 5437 Robinson Road, P.O. Box 790
 Pellston, Michigan 49769
 Telephone: 1-800-927-9256, 231-539-8000
 FAX: 231-539-0914

REF:	DATE:	DRN BY:	RAS	WEIGHT:
CUSTOMER DIMS	8-18-21	CHK'D BY:	PAK	
TITLE: M10 PASSTHROUGH JUNCTION STUD				
MATERIAL:	GLASS FILLED NYLON	PART NO:	77210N14	
COLOR:	BLACK	DRG CLASS	REV E	