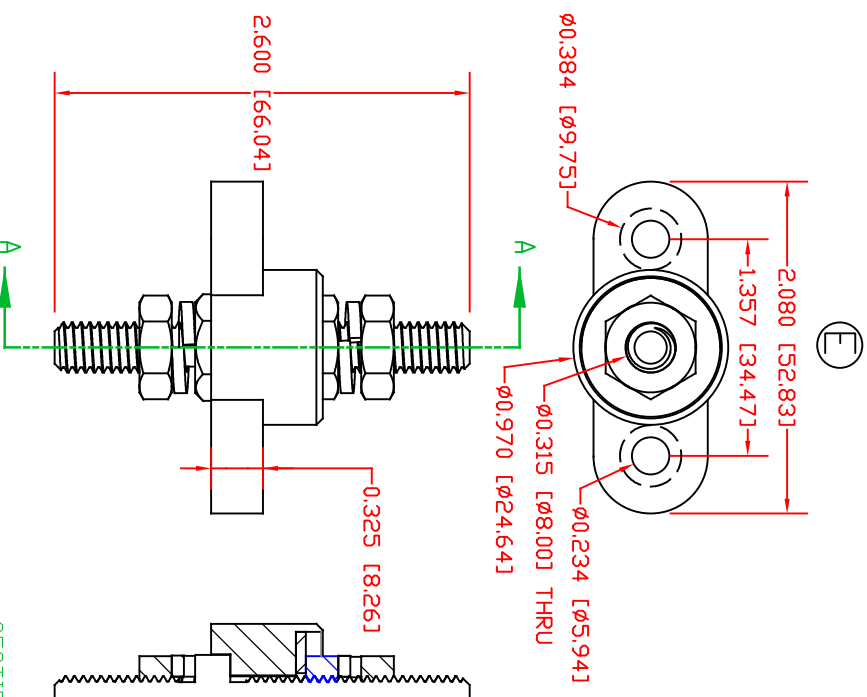
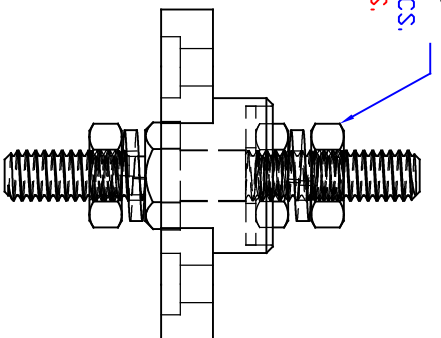


THE INFORMATION CONTAINED IN THIS DRAWING IS THE SOLE PROPERTY OF VTE INCORPORATED. ANY REPRODUCTION IN PART OR WHOLE WITHOUT THE WRITTEN PERMISSION OF VTE INCORPORATED IS PROHIBITED. VTE MAKES NO WARRANTY, EXPRESSED OR IMPLIED, AS TO THE SUITABILITY OF A PRODUCT FOR ANY INTENDED USE. THE CUSTOMER SHALL BEAR THE SOLE RESPONSIBILITY OF DETERMINING THE SUITABILITY OF ANY VTE PRODUCT FOR ITS END USE.



SECTION A-A

- 3744-009 NICKEL PLATED BRASS THREADED BOTH ENDS
- 3843-B00 5/16-18 HEAVY HEX JAM NUT TIN PLATED BRASS FACTORY ASSEMBLED TO 96 IN./LBS. [10.8 Nm]
- BLUE DOT TECHNOLOGY < DO NOT REMOVE >
- 3645-000 STAINLESS STEEL FLAT WASHER
- 327D6N02 NYLON HOUSING
- 3642-000 STAINLESS STEEL SPRING WASHER, 2 PCS




INCLUDES P-16808110001 BLUE DOT MULTI LABEL, 1 PER CONTAINER

MATERIAL PART NO: 711210502
 MATERIAL: GLASS FILLED NYLON
 VENDOR PART NO: HYLON N2015 HL NAT
 SPECIFIC GRAVITY: 1.23
 MELTING TEMP: 515 F [268 C]
 UL RATING: UL 94 HB

CURRENT CARRYING CAPACITY: 325 AMPS AT 12 VDC

LR	REVISIONS	DATE	INT.
A	REDRAWN AND REDESIGNED	12-28-07	BRH
B	ADDED FACTORY TORQUE NOTE	2-14-12	BRH
C	REPLACED P/N 3843-001 WITH P/N 3843-009	1-16-17	RAS
D	3843-B00 WAS 3843-000	6-13-17	JMM
E	UPDATED AND ADDED DIMENSIONS FOR MOUNTING	7-31-17	RAS
F	ADDED ELECTRICAL VALUES	10-25-18	RAS
G	UPDATED BASE PART NUMBER FROM 32703	8-12-21	RAS
H	UPDATED CORE PART NUMBER FROM 3744-000	8-12-21	RAS
I	UPDATED TORQUE VALUE FROM 132 IN./LBS. [14.9 Nm]	8-12-21	RAS
J	UPDATED TORQUE VALUE FROM 112 IN./LBS. [12.65 Nm]	8-12-21	RAS
K	UPDATED ELECTRICAL VALUES	10-18-22	RAS

SCALE FACTOR: NONE
 ALL DIMENSIONS GIVEN AS: IN [mm]
 TOLERANCES UNLESS OTHERWISE SPECIFIED:
 MOLDED PARTS: ±.030" [±0.8mm]
 HARDWARE ITEMS: ±.010" [±0.25mm]



VTE Incorporated
 5437 Robinson Road, P.O. Box 790
 Pellston, Michigan 49769
 Telephone: 1-800-527-9256, 231-539-8000
 FAX: 231-539-0914

REF: CUSTOMER DIMS	DATE: 8-23-21	DRN BY: RAS	WEIGHT:
TITLE: PASSTHROUGH JUNCTION STUD	CHK'D BY: PJK		
MATERIAL: GLASS FILLED NYLON	PART NO: 77231N02		
COLOR: RED	DRG CLASS: REV K		