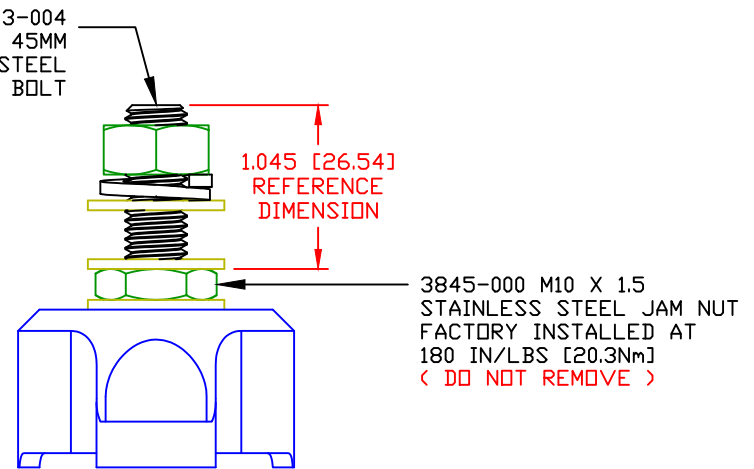
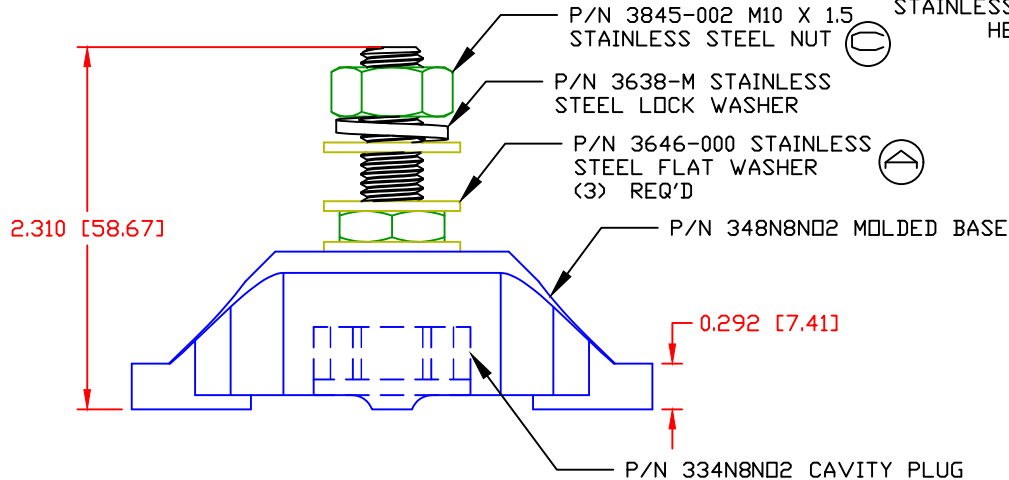
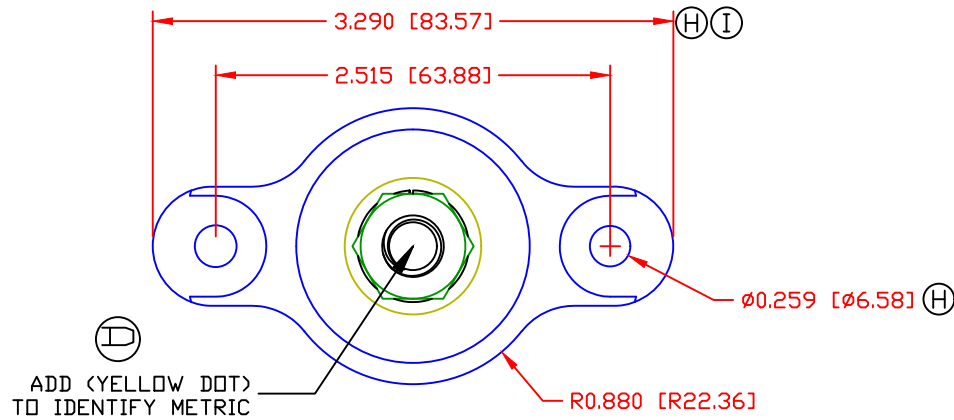



THE INFORMATION CONTAINED IN THIS DRAWING IS THE SOLE PROPERTY OF VTE INCORPORATED. ANY REPRODUCTION IN PART OR WHOLE WITHOUT THE WRITTEN PERMISSION OF VTE INCORPORATED IS PROHIBITED. VTE MAKES NO WARRANTY, EXPRESSED OR IMPLIED, AS TO THE SUITABILITY OF A PRODUCT FOR ANY INTENDED USE. THE CUSTOMER SHALL BEAR THE SOLE RESPONSIBILITY OF DETERMINING THE SUITABILITY OF ANY VTE PRODUCT FOR ITS END USE.

LTR.	REVISIONS	DATE	INT.
A	INCREASED WASHER QTY IN ASSY	12-12-15	RAS
B	CHANGED IN. LBS. TO FT. LBS.	12-23-15	RAS
C	REPLACED P/N 3845-001 WITH P/N 3845-002	3-28-16	RAS
D	ADDED METRIC IDENTIFICATION METHOD	19DEC16	RAS
E	CHANGED FT-LBS TO IN-LBS AND Nm	4-28-17	JMM
F	REDRAWN ( ORIGINAL DRAWING 2-26-15 )	5-01-18	RAS
G	REPLACED CURRENT LIMITS WITH TEMPERATURE LIMIT	10-12-18	RAS
H	UPDATED DIMENSION AFTER QA CHECK	01-26-21	EJE
I	UPDATED DIMENSION FROM 3.328"	04-20-21	EJE



SCALE FACTOR : NONE  
 ALL DIMENSIONS GIVEN AS: in [mm]  
 TOLERANCES UNLESS OTHERWISE SPECIFIED :  
 MOLDED PARTS:  $\pm 0.30^{\circ}$  [ $\pm 0.8\text{mm}$ ]  
 HARDWARE ITEMS:  $\pm 0.10^{\circ}$  [ $\pm 0.25\text{mm}$ ]

MATERIAL PART NO: 7111210502  
 MATERIAL: GLASS FILLED NYLON  
 VENDOR PART NO: HYLON N2015 HL NAT  
 SPECIFIC GRAVITY: 1.23  
 MELTING TEMP: 515 F [268 C]  
 U.L. RATING: UL 94 HB  
 RECOMMEND TORQUE : 180 IN/LBS [20.3Nm] (B) (E)  
 MAXIMUM CURRENT: 250 AMPS @ 12 VDC  
 MAXIMUM VOLTAGE: 48 VDC  
 OVERALL ASSEMBLY TEMPERATURE NOT TO EXCEED 140 DEGREES F  
 ( 60 DEGREES C )

		<b>VTE Incorporated</b> 5437 Robinson Road, P.O. Box 790 Pellston, Michigan 49769 Telephone: 1-800-527-9256, 231-539-8000 FAX: 231-539-0914	
		REF:	DATE:
	5-01-18	CHK'D BY: RAS	
TITLE: 10MM POWER DISTRIBUTION STUD			
MATERIAL: GLASS FILLED NYLON		PART NO.	
COLOR: RED	DRG CLASS: REV I	77510M0N02	