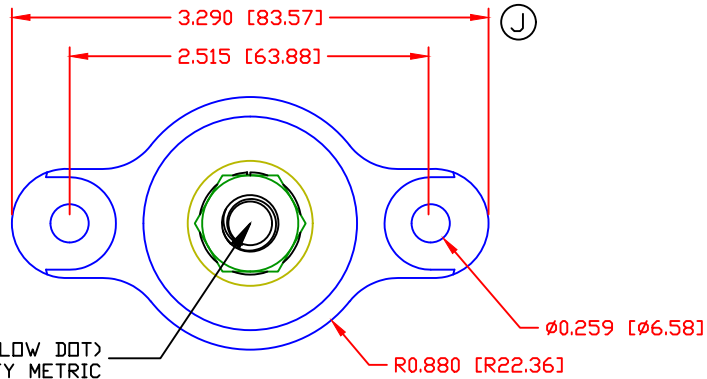
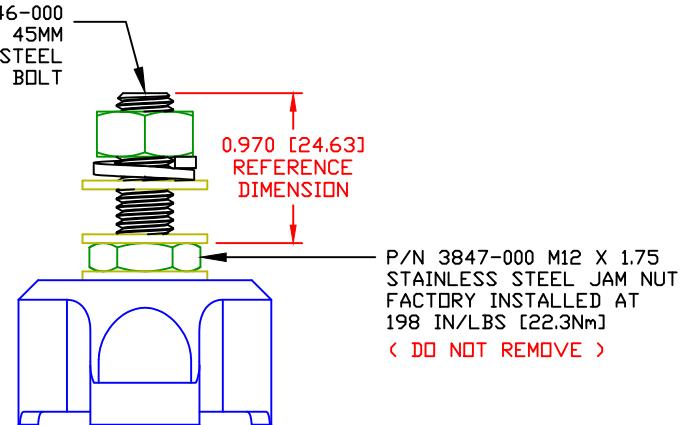
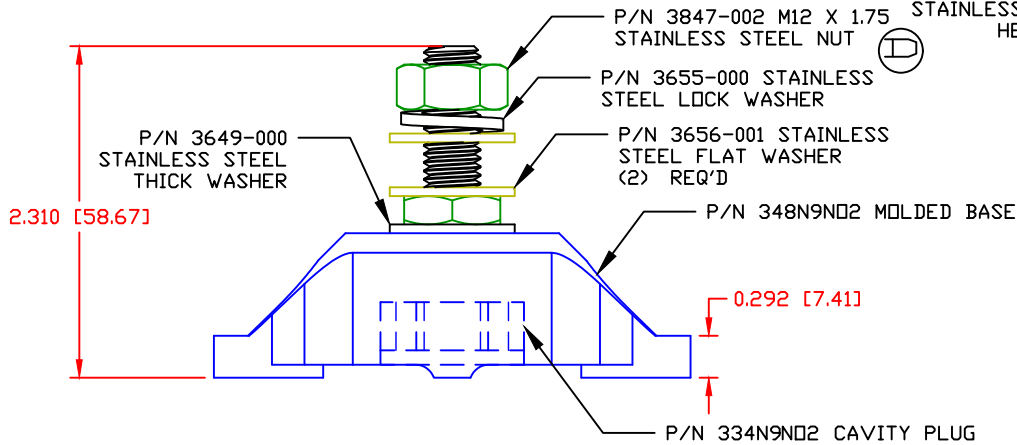


THE INFORMATION CONTAINED IN THIS DRAWING IS THE SOLE PROPERTY OF VTE INCORPORATED. ANY REPRODUCTION IN PART OR WHOLE WITHOUT THE WRITTEN PERMISSION OF VTE INCORPORATED IS PROHIBITED. VTE MAKES NO WARRANTY, EXPRESSED OR IMPLIED, AS TO THE SUITABILITY OF A PRODUCT FOR ANY INTENDED USE. THE CUSTOMER SHALL BEAR THE SOLE RESPONSIBILITY OF DETERMINING THE SUITABILITY OF ANY VTE PRODUCT FOR ITS END USE.

LTR.	REVISIONS	DATE	INT.
A	INCREASED WASHER QTY IN ASSY	12-12-15	RAS
B	CHANGED IN. LBS. TO FT. LBS.	12-23-15	RAS
C	REVISED WASHER DIMENSIONS	02-11-16	RAS
D	REPLACED P/N 3847-001 WITH 3847-002	03-29-16	RAS
E	UPDATED MATERIAL RATING	04-12-16	RAS
F	ADDED METRIC IDENTIFICATION METHOD	12-19-16	RAS
G	CHANGED FT-LBS TO IN-LBS AND Nm	4-28-17	JMM
H	REDRAWN (ORIGINAL DRAWING 12-08-16)	5-02-18	RAS
I	REPLACED CURRENT LIMITS WITH TEMPERATURE LIMIT	10-12-18	RAS
J	UPDATED DIMENSION FROM 3.328"	04-20-21	EJE



(F) ADD (YELLOW DOT) TO IDENTIFY METRIC



SCALE FACTOR : NONE
 ALL DIMENSIONS GIVEN AS: in [mm]
 TOLERANCES UNLESS OTHERWISE SPECIFIED :
 MOLDED PARTS: ±.030" [±0.8mm]
 HARDWARE ITEMS: ±.010" [±0.25mm]

MATERIAL PART NO:
 MATERIAL:
 VENDOR PART NO:
 SPECIFIC GRAVITY:
 MELTING TEMP:
 U.L. RATING:

7111210502
 GLASS FILLED NYLON
 NYLON N2015 HL NAT
 1.23
 515 F [268 C]
 UL 94 HB

RECOMMEND TORQUE : 198 IN/LBS [22.3Nm] (B) (G)
 OVERALL ASSEMBLY TEMPERATURE NOT TO EXCEED 140 DEGREES F
 (60 DEGREES C)

VTE Incorporated
 5437 Robinson Road, P.O. Box 790
 Pellston, Michigan 49769
 Telephone: 1-800-527-9256, 231-539-8000
 FAX: 231-539-0914

REF:	DATE: 5-02-18	DRN BY: RAS CHK'D BY: RAS	WEIGHT:
TITLE: 12MM POWER DISTRIBUTION STUD			
MATERIAL: GLASS FILLED NYLON		PART NO. 77512M0N02	
COLOR: RED	DRG CLASS	REV J	