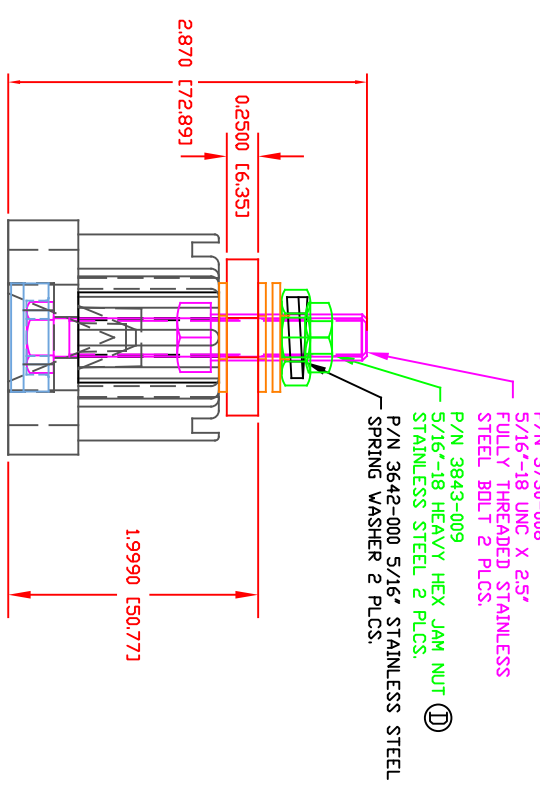
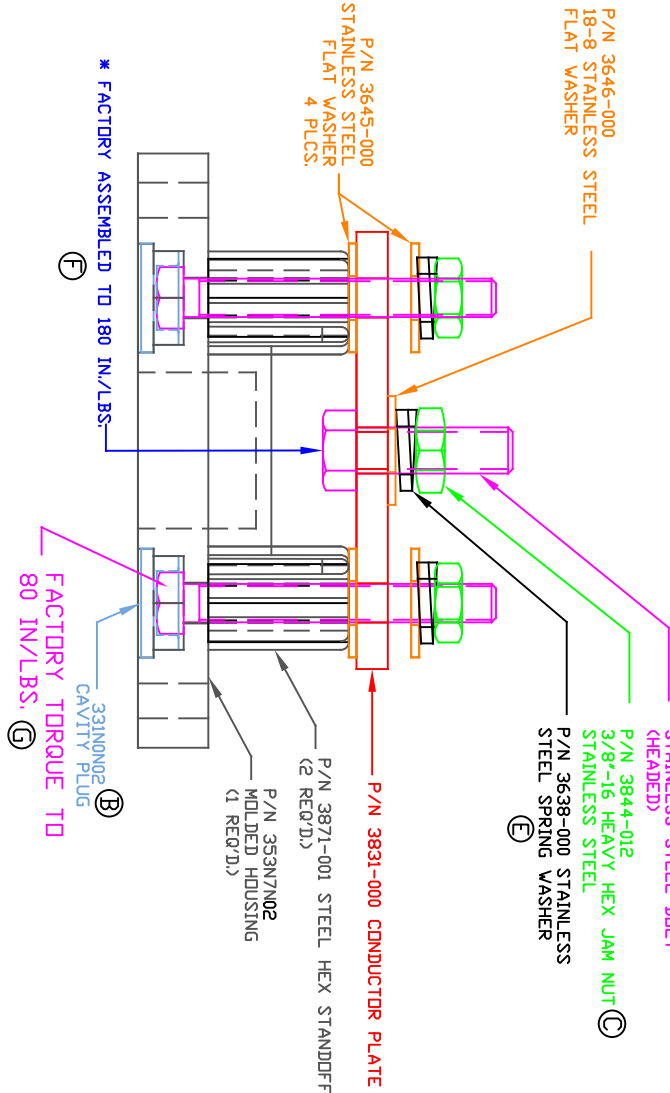
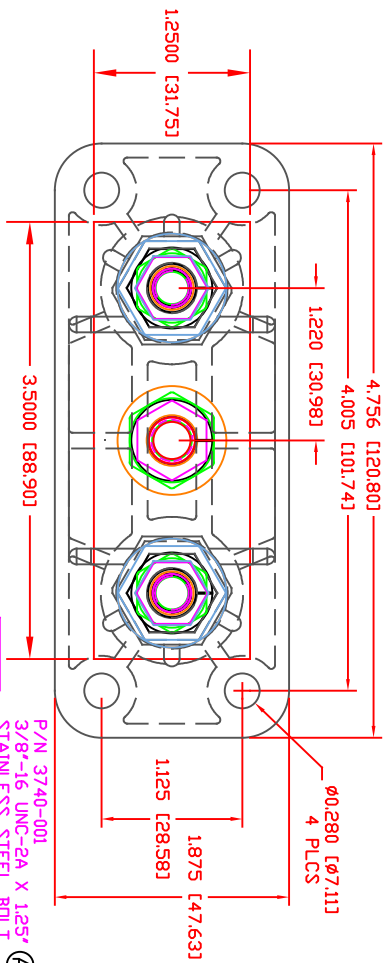


THE INFORMATION CONTAINED IN THIS DRAWING IS THE SOLE PROPERTY OF VTE INCORPORATED. ANY REPRODUCTION IN PART OR WHOLE WITHOUT THE WRITTEN PERMISSION OF VTE INCORPORATED IS PROHIBITED. VTE MAKES NO WARRANTY, EXPRESSED OR IMPLIED, AS TO THE SUITABILITY OF A PRODUCT FOR ANY INTENDED USE. THE CUSTOMER SHALL BEAR THE SOLE RESPONSIBILITY OF DETERMINING THE SUITABILITY OF ANY VTE PRODUCT FOR ITS END USE.



LTR.	REVISIONS	DATE	INT
A	3740-001 WAS 3740-006	04-14-08	BRH
B	PN 331N0V** CHANGED TO PN 331N0N**	08-05-16	MDL
C	3844-012 WAS 3844-003	11-01-16	JMM
D	REPLACED P/N 3843-001 WITH P/N 3843-009	01-16-17	RAS
E	REMOVED BOTTOM LOCKWASHER	04-02-24	RAS
F	ADDED FACTORY TORQUE SPEC TO 3740-001	05-23-24	RAS
G	ADDED FACTORY TORQUE SPEC TO 3730-008	7-09-24	RAS

MATERIAL PART NO: 7111210502  
 MATERIAL: GLASS FILLED NYLON  
 VENDOR PART NO: HYLON N2015 HL NAT  
 SPECIFIC GRAVITY: 1.23  
 MELTING TEMP: 515 F [268 C]  
 UL RATING: UL 94 HB

MAXIMUM AMPERAGE: 700 AMPS @12VDC  
 RECOMMENDED MAXIMUM FASTENER TORQUE: 3/8"-16 180 IN./LBS.  
 5/16"-18 120 IN./LBS.

VTE Incorporated  
 5437 Robinson Road, P.O. Box 790  
 Pellston, Michigan 49769  
 Telephone: 1-800-527-9256, 231-539-8000  
 FAX: 231-539-0914

REF:	DATE:	DRN BY:	BRH	WEIGHT:
CUSTOMER DIMS	3-26-08	CHK'D BY:	BRH	0.927 lbs [420.48 g]
TITLE:	BUS BAR, HI-AMP 3 POINT		SCALE:	
MATERIAL:	GLASS FILLED NYLON	PART NO:	7753N7N02	
COLOR:	RED	DRG CLASS	REV G	