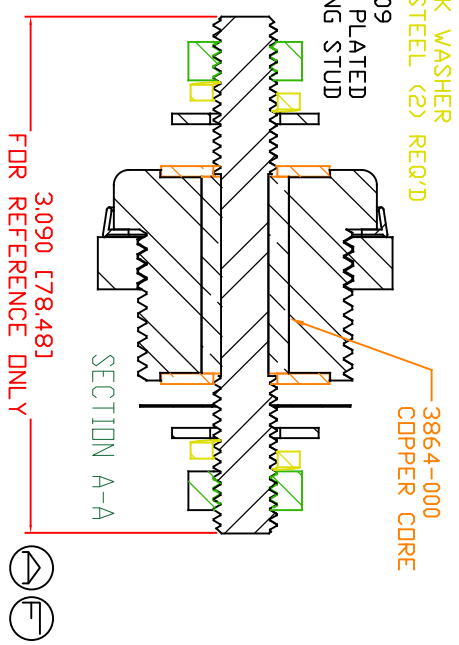
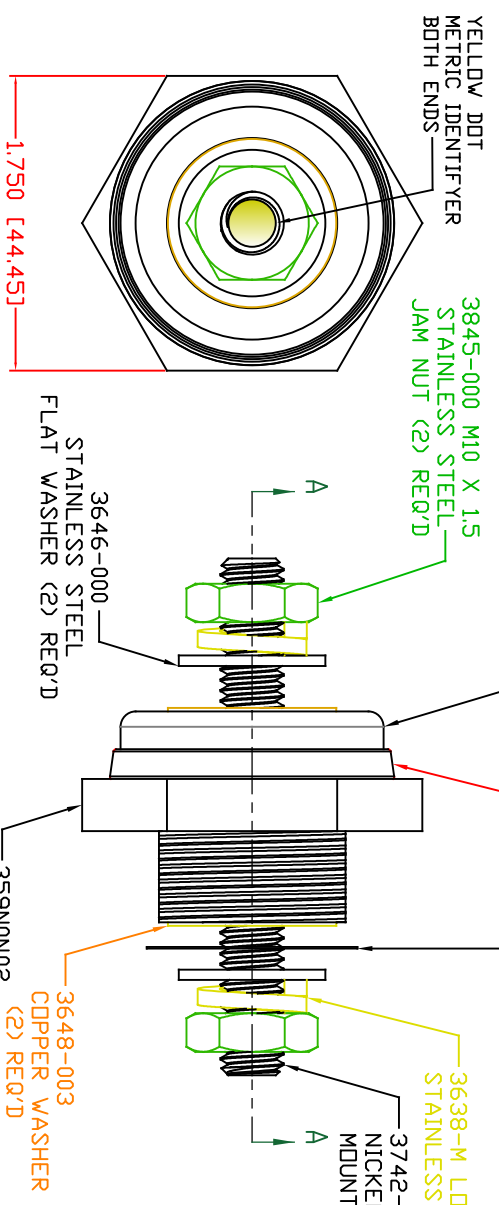
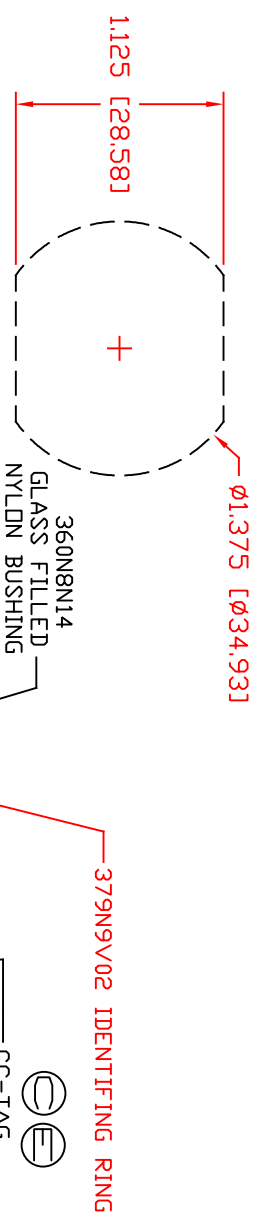


THE INFORMATION CONTAINED IN THIS DRAWING IS THE SOLE PROPERTY OF VTE INCORPORATED. ANY REPRODUCTION IN PART OR WHOLE WITHOUT THE WRITTEN PERMISSION OF VTE INCORPORATED IS PROHIBITED. VTE MAKES NO WARRANTY, EXPRESSED OR IMPLIED, AS TO THE SUITABILITY OF A PRODUCT FOR ANY INTENDED USE. THE CUSTOMER SHALL BEAR THE SOLE RESPONSIBILITY OF DETERMINING THE SUITABILITY OF ANY VTE PRODUCT FOR ITS END USE.

USE GREENLEE PUNCH
ASSEMBLY #60098
FOR PANEL CUTOUT



⊕ MAXIMUM FASTENER TORQUES:
JAM NUTS: 212 IN-LBS [24.0 Nm]
SEALING NUT: 120 IN-LBS [13.5 Nm]

CURRENT CARRYING CAPACITY:
DUTY CYCLE:
CURRENT CAPACITY:
TEMPORARY MAX (12 MINUTES)

MATERIAL:
VENDOR PART NO:
SPECIFIC GRAVITY:
MELTING TEMP:
UL RATING:

80%
4.3 KW (360 AMP @ 12VDC)
5.4 KW (450 AMP @ 12VDC)

⊕ 7111210502 GLASS FILLED NYLON
DURETHAN BKV 15 H 3.0 000000
UL 94 HB

SCALE FACTOR: 1 NONE
ALL DIMENSIONS GIVEN AS IN [mm]
TOLERANCES UNLESS OTHERWISE SPECIFIED:
MOLDED PARTS: ±0.30 [±0.8mm]
HARDWARE ITEMS: ±0.10 [±0.25mm]

VTE Incorporated
5437 Robinson Road, P.O. Box 790
Pellston, Michigan 49769
Telephone: 1-800-527-9256, 231-539-8000
FAX: 231-539-0914

LR	REVISIONS	DATE	INT.
A	307' WAS 325'	5-11-10	BRH
B	REDUCED FROM 550 AMP	12-17-15	RAS
C	ADDED TORQUE TAG	12-29-15	RAS
D	INCREASED FROM 350 AMP	1-01-16	RAS
E	MOVED TORQUE TAG TO OPPOSITE POST	1-27-16	RAS
F	3.09 WAS 3.07	06-07-17	JMM
G	UPDATED MATERIAL P/N	06-22-17	JMM
H	REDRAWN (ORIGINAL DRAWING 5-28-09)	11-10-17	RAS
I	UPDATED TORQUE VALUES FROM 180 IN-LBS (20.34 Nm)	2-03-18	RAS

REF:	DATE:	DRN BY:	RAS	WEIGHT:
	11-10-17	CHK'D BY:	PKJ	
TITLE: 10MM POWER BUSHING, COPPER CORE				
MATERIAL: GLASS FILLED NYLON		PART NO: CCB376M0N02		
COLOR: RED	DRG CLASS	REV I		