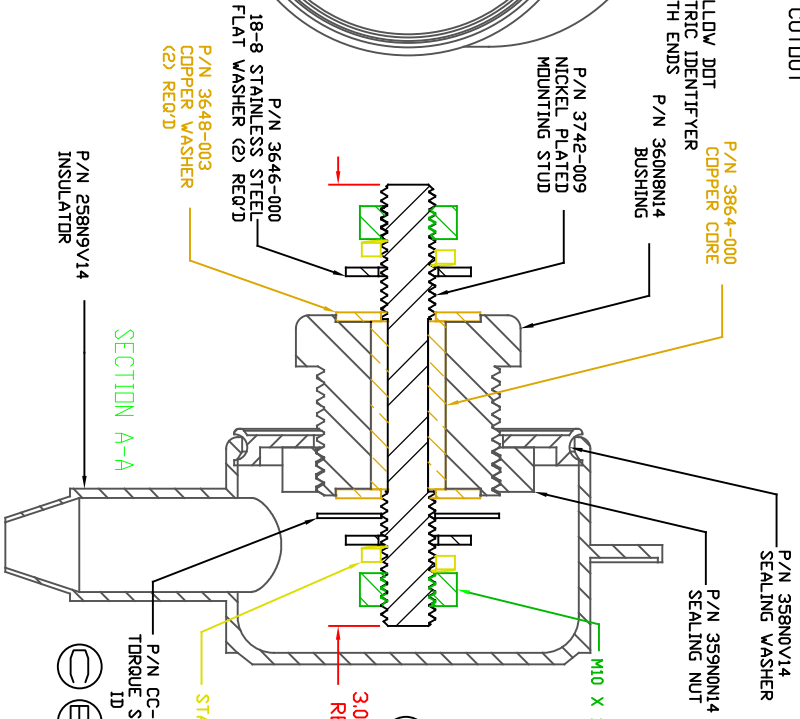
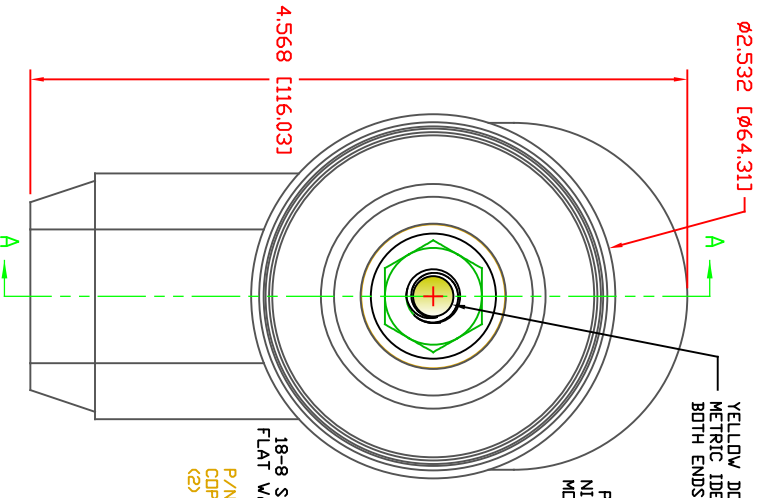
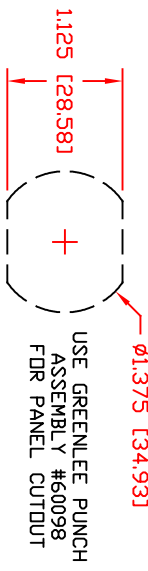
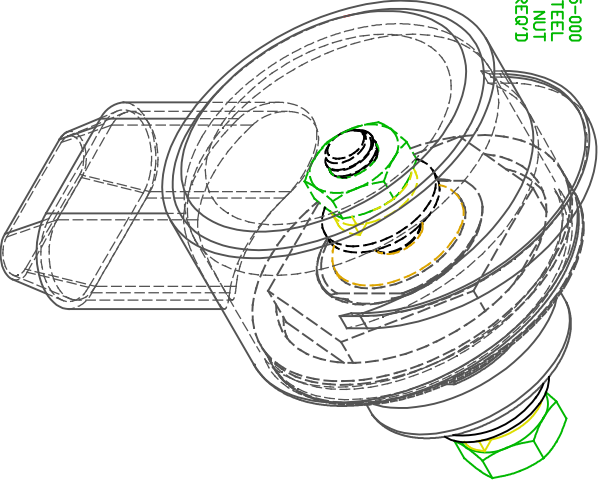


THE INFORMATION CONTAINED IN THIS DRAWING IS THE SOLE PROPERTY OF VTE INCORPORATED. ANY REPRODUCTION IN PART OR WHOLE WITHOUT THE WRITTEN PERMISSION OF VTE INCORPORATED IS PROHIBITED. VTE MAKES NO WARRANTY, EXPRESSED OR IMPLIED, AS TO THE SUITABILITY OF A PRODUCT FOR ANY INTENDED USE. THE CUSTOMER SHALL BEAR THE SOLE RESPONSIBILITY OF DETERMINING THE SUITABILITY OF ANY VTE PRODUCT FOR ITS END USE.



3090 [78.481] REFERENCE ONLY



MAXIMUM FASTENER TORQUES:
 JAM NUTS: 212 IN-LBS [24.0 Nm]
 SEALING NUT: 120 IN-LBS [13.5 Nm]

ASSEMBLY DESIGNED TO MEET
 IP65 REQUIREMENTS

CURRENT CARRYING CAPACITY:
 DUTY CYCLE:
 CURRENT CAPACITY:
 TEMPORARY MAX (12 MINUTES)
 MATERIAL PART NO:
 VENDOR PART NO:
 SPECIFIC GRAVITY:
 MELTING TEMP:
 U.L. RATING:

80%
 4.3 Kw (360 AMP @ 12VDC)
 5.4 Kw (450 AMP @ 12VDC)
 111210514UL
 GLASS FILLED NYLON
 NYLON N2015 HL BK

LTR	REVISIONS	DATE	INT.
A	3.07' WAS 3.25'	5-11-10	BRH
B	REDUCED FROM 550 AMP	11-17-15	RAS
C	ADDED TORQUE TAG	12-29-15	RAS
D	INCREASED FROM 350 AMP	1-01-16	RAS
E	MOVED TORQUE TAG TO OPPOSITE POST	1-27-16	RAS
F	3.09 WAS 3.07, UPDATED MATERIAL P/N	6-22-17	JMM
G	REDRAWN (ORIGINAL DRAWING 5-28-09)	11-17-17	RAS
H	UPDATED TORQUE VALUES FROM 180 IN-LBS (20.34 Nm)	2-03-18	RAS
I	ADDED IP65 STATEMENT	10-17-18	RAS

SCALE FACTOR: NONE
 ALL DIMENSIONS GIVEN AS: In [mm]
 TOLERANCES UNLESS OTHERWISE SPECIFIED:
 MOLDED PARTS: ±.030" [±0.8mm]
 HARDWARE ITEMS: ±.010" [±0.25mm]

VTE Incorporated
 5437 Robinson Road, P.O. Box 790
 Pellston, Michigan 49769
 Telephone: 1-800-527-9256, 231-539-8000
 FAX: 231-539-0914

REF: CUSTOMER DIMS	DATE: 11-17-17	DRN BY: PJK	RAS	WEIGHT:
TITLE: WEATHER PROOF 10MM POWER BUSHING, COPPER CORE		CHK'D BY:		
MATERIAL: GLASS FILLED NYLON		PART NO:	CCB376M0N14W	
COLOR: BLACK	DRG CLASS	REV 1		