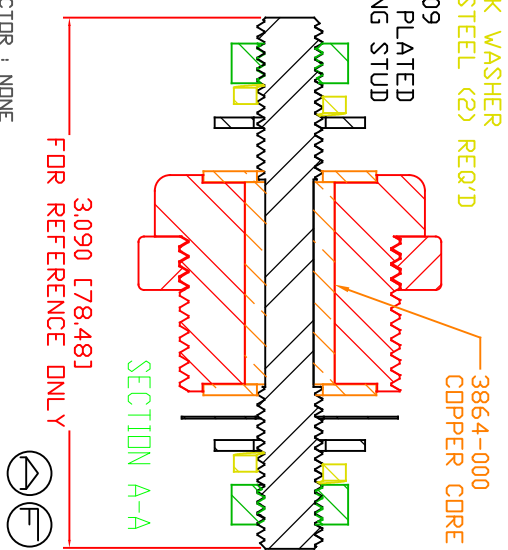
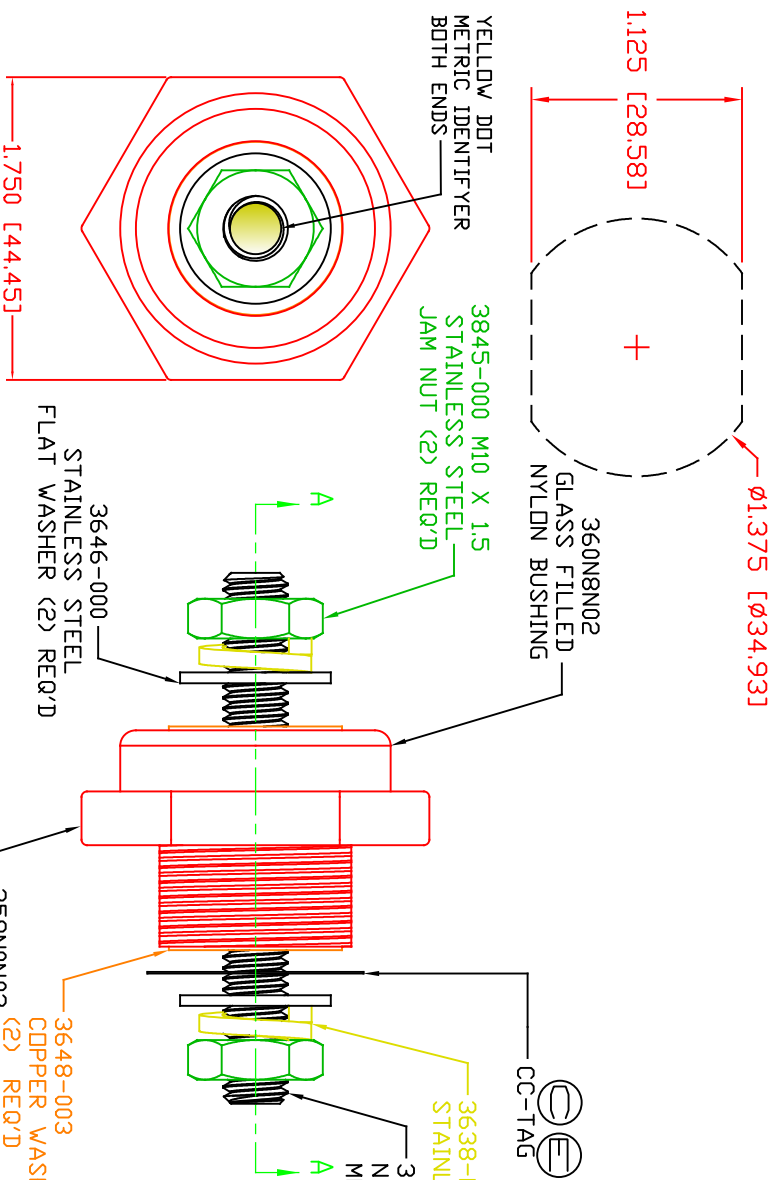


THE INFORMATION CONTAINED IN THIS DRAWING IS THE SOLE PROPERTY OF VTE INCORPORATED. ANY REPRODUCTION IN PART OR WHOLE WITHOUT THE WRITTEN PERMISSION OF VTE INCORPORATED IS PROHIBITED. VTE MAKES NO WARRANTY, EXPRESSED OR IMPLIED, AS TO THE SUITABILITY OF A PRODUCT FOR ANY INTENDED USE. THE CUSTOMER SHALL BEAR THE SOLE RESPONSIBILITY OF DETERMINING THE SUITABILITY OF ANY VTE PRODUCT FOR ITS END USE.

USE GREENLEE PUNCH ASSEMBLY #60098 FOR PANEL CUTOUT



SCALE FACTOR : NONE
ALL DIMENSIONS GIVEN AS: In [mm]
TOLERANCES UNLESS OTHERWISE SPECIFIED :
MOLDED PARTS: ±.030" [±0.8mm]
HARDWARE ITEMS: ±.010" [±0.25mm]



VTE Incorporated
5437 Robinson Road, P.O. Box 790
Pellston, Michigan 49769
Telephone: 1-800-527-9256, 231-539-8000
FAX: 231-539-0914

⊕ MAXIMUM FASTENER TORQUES:
JAM NUTS: 212 IN-LBS [24.0 Nm]
SEALING NUT: 120 IN-LBS [13.5 Nm]

CURRENT CARRYING CAPACITY:
DUTY CYCLE:
CURRENT CAPACITY:
TEMPORARY MAX (12 MINUTES)

⊕ MATERIAL PART NO:
VENDOR PART NO:
SPECIFIC GRAVITY:
MELTING TEMP:
UL RATING:

80%
4.3 Kw (360 AMP @ 12VDC)
5.4 Kw (450 AMP @ 12VDC)

⊕ 711210502
GLASS FILLED NYLON
HYLON N2015 HL NAT

⊕ 123
515 F [268 C]
UL 94 HB

⊕ ⊕ ⊕

LTR.	REVISIONS	DATE	INT.
A	3.07 WAS 3.25'	5-11-10	BRH
B	REDUCED FROM 550 AMP	11-17-15	RAS
C	ADDED TORQUE TAG	12-29-15	RAS
D	INCREASED FROM 350 AMP	1-01-16	RAS
E	MOVED TORQUE TAG TO OPPOSITE POST	1-27-16	RAS
F	REMOVED IDENTIFYING GASKET	04-18-17	RAS
G	3.09 WAS 3.07	06-07-17	JMM
H	REDRAWN (ORIGINAL DRAWING 5-28-09)	11-10-17	RAS
I	UPDATED TORQUE VALUES FROM 180 IN-LBS (20.34 Nm)	2-03-18	RAS

REF:	DATE:	DRN BY:	RAS	WEIGHT:
CUSTOMER DIMS	11-10-17	CHK'D BY:	PJK	
TITLE:	10MM POWER BUSHING, COPPER CORE			
MATERIAL:	GLASS FILLED NYLON	PART NO:	CCB376M0NR02	
COLOR:	RED	DRG CLASS	REV 1	