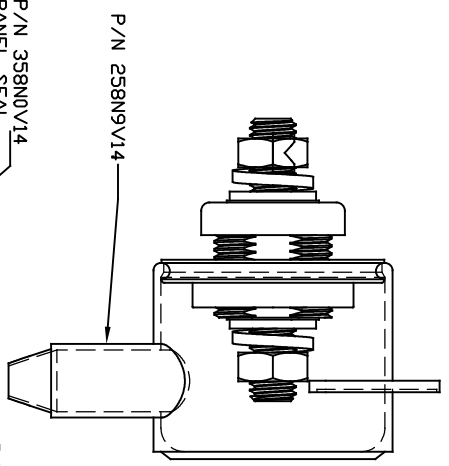
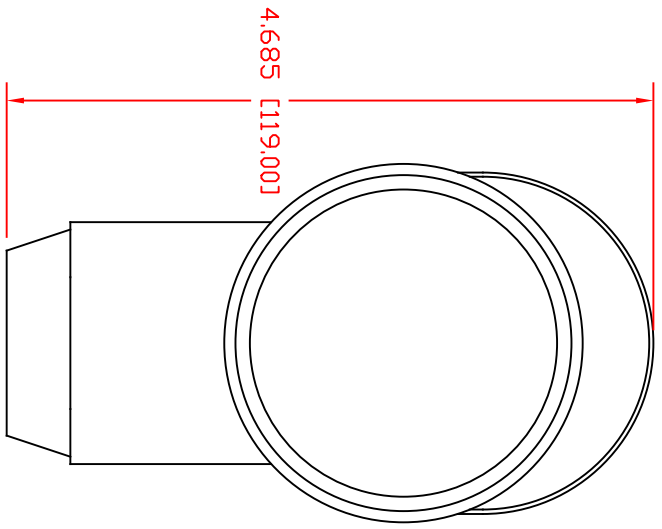
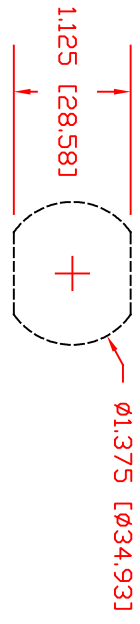
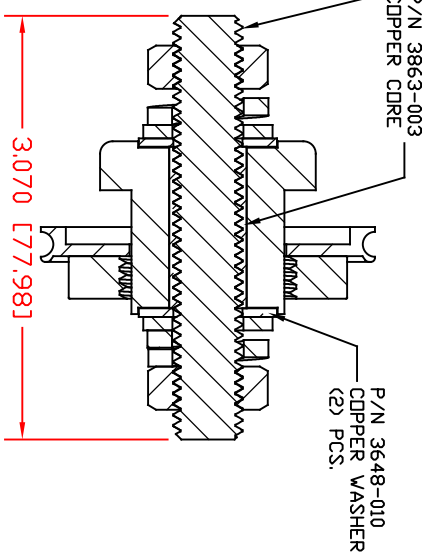
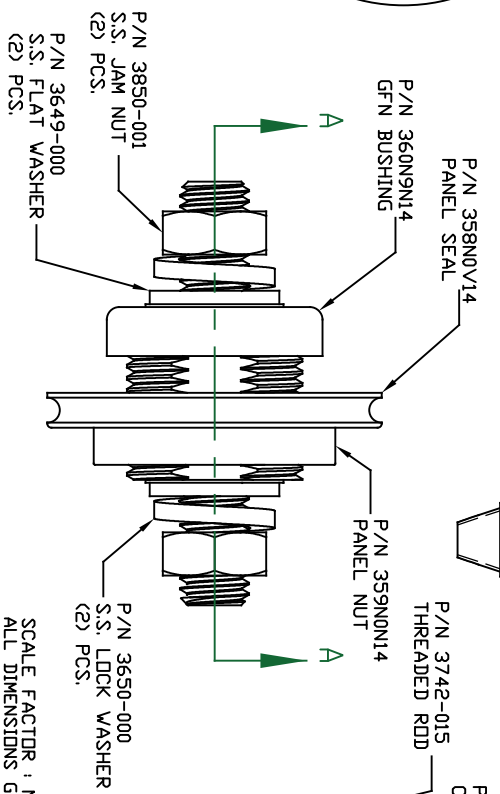


THE INFORMATION CONTAINED IN THIS DRAWING IS THE SOLE PROPERTY OF VTE INCORPORATED. ANY REPRODUCTION IN PART OR WHOLE WITHOUT THE WRITTEN PERMISSION OF VTE INCORPORATED IS PROHIBITED. VTE MAKES NO WARRANTY, EXPRESSED OR IMPLIED, AS TO THE SUITABILITY OF A PRODUCT FOR ANY INTENDED USE. THE CUSTOMER SHALL BEAR THE SOLE RESPONSIBILITY OF DETERMINING THE SUITABILITY OF ANY VTE PRODUCT FOR ITS END USE.

USE GREENLEE PUNCH
ASSEMBLY #60098
FOR PANEL CUTOUT



- ASSEMBLY CCB506N14 W
CONSISTS OF:
- 1 - CCB506N14
POWER BUSHING
 - 1 - 258N9V14
INSULATOR BOOT
 - 1 - 358N0N14
PANEL SEAL



SCALE FACTOR : NONE
ALL DIMENSIONS GIVEN AS: In [mm]
TOLERANCES UNLESS OTHERWISE SPECIFIED :
MOLDED PARTS: ±.030" [±0.8mm]
HARDWARE ITEMS: ±.010" [±0.25mm]

SECTION A-A

MAXIMUM FASTENER TORQUES:
JAM NUTS: 198 IN-LBS [22.30 Nm]
SEALING NUT: 120 IN-LBS [13.56 Nm]
CURRENT CARRYING CAPACITY:
DUTY CYCLE: 80%
CURRENT CAPACITY: 5.2 KW (440 AMP @ 12VDC)
TEMPORARY MAX (12 MINUTES): 6.6 KW (550 AMP @ 12VDC)

MATERIAL PART NO: 111210514UL
MATERIAL: GLASS FILLED NYLON
VENDOR PART NO: HYLON N2015 HL BK
SPECIFIC GRAVITY: 1.23
MELTING TEMP: 515 F [268 C]
UL RATING: UL 94 HB

LR.	REVISIONS	DATE	INT.
	PRELIMINARY DRAWING FOR APPROVAL	11-17-20	EJE

VTE Incorporated
5437 Robinson Road, P.O. Box 790
Pellston, Michigan 49769
Telephone: 1-800-527-9256, 231-539-8000
FAX: 231-539-0914

REF:	DATE:	DRN BY: EJE	WEIGHT:
	11-17-2020	CHK'D BY: PJK	
TITLE: 1/2" POWER BUSHING, COPPER CORE, WEATHERPROOF		PART NO: CCB506N14W	
MATERIAL: GLASS FILLED NYLON		MATERIAL CLASS: DRG PRELIM	
COLOR: BLACK			