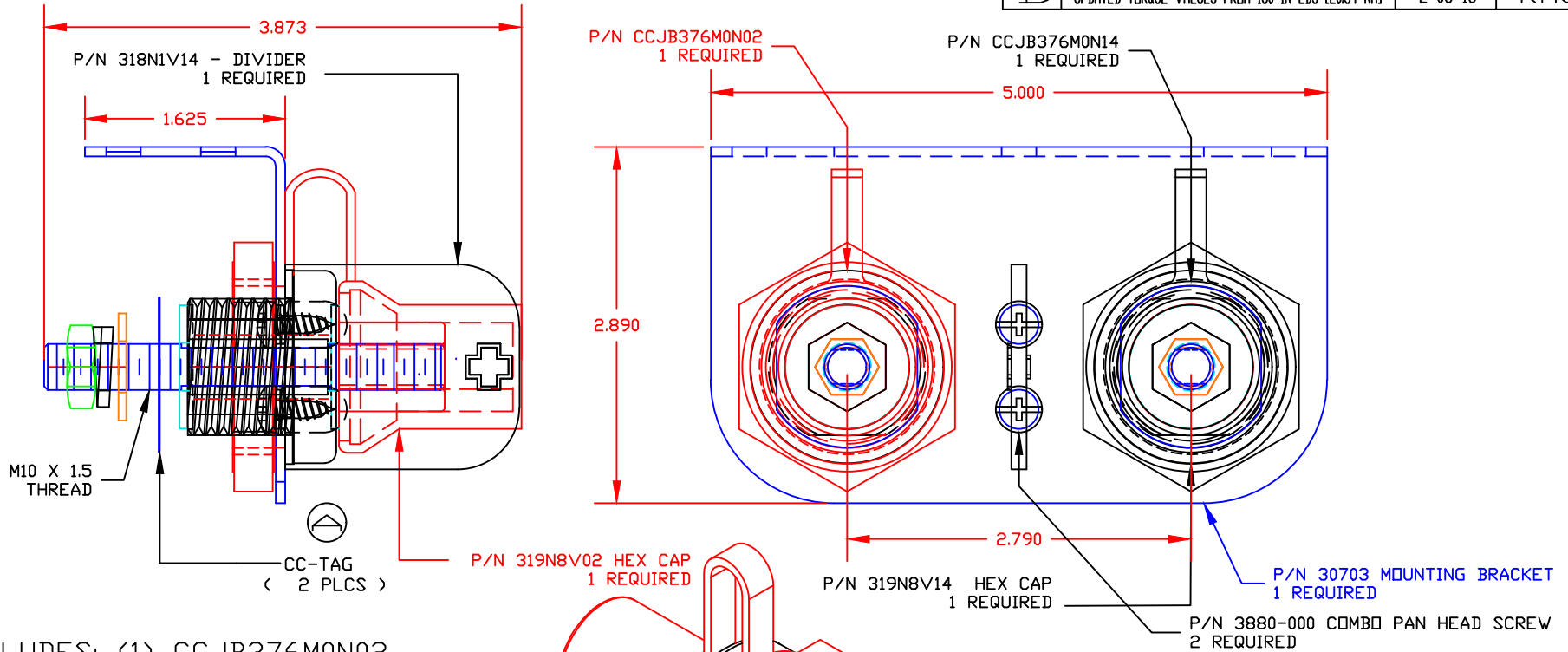
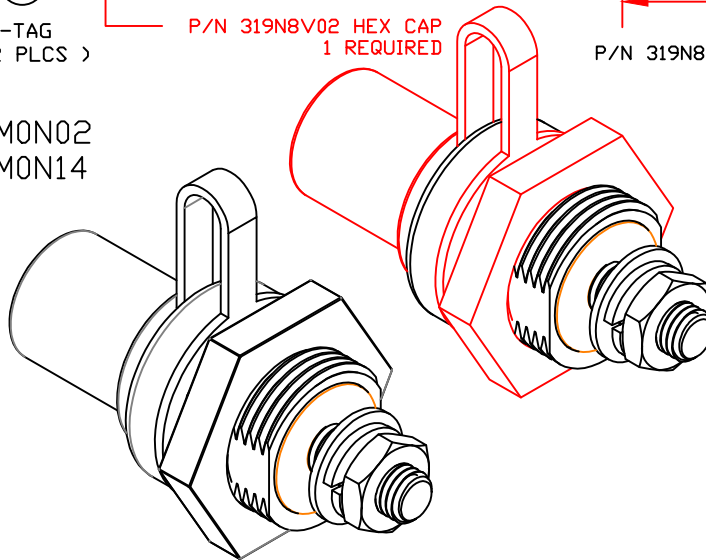


THE INFORMATION CONTAINED IN THIS DRAWING IS THE SOLE PROPERTY OF VTE INCORPORATED. ANY REPRODUCTION IN PART OR WHOLE WITHOUT THE WRITTEN PERMISSION OF VTE INCORPORATED IS PROHIBITED.

LTR.	REVISIONS	DATE	INT.
△	ADDED TORQUE TAG	12-29-15	RAS
Ⓑ	UPDATED TORQUE VALUES FROM 180 IN-LBS [20.34 Nm]	2-03-18	RAS



INCLUDES: (1) CCJB376M0N02  
(1) CCJB376M0N14



TOLERANCE UNLESS OTHERWISE SPECIFIED:  
 MOLDED PRODUCTS ONLY:  $\pm 0.030"/\pm 0.8\text{mm}$   
 HARDWARE ITEMS:  $\pm 0.010"/\pm 0.25\text{mm}$   
 RADIAL DIAMETERS TO BE MEASURED OVER MANDRELS,  
 RING GAGES OR PIN GAGES OF SUITABLE SIZE

MAXIMUM FASTENER TORQUES:

Ⓑ JAM NUTS: 212 IN-LBS [24.0 Nm]  
 SEALING NUT: 120 IN-LBS [13.5 Nm]

CURRENT CARRYING CAPACITY: 350 AMPS @ 12VDC

 **VTE Incorporated**  
 5437 Robinson Road, P.O. Box 790  
 Pellston, Michigan 49769  
 Telephone: 1-800-527-9256, 231-539-8000  
 FAX: 231-539-0914

REF:	DATE: 15OCT15	DRN BY: RAS	WEIGHT:
		CHK'D BY: RAS	
TITLE: COPPER CORE JUMPER BUSHING BRACKET MOUNT KIT METRIC			SCALE:
MATERIAL:		PART NO.	
COLOR:	DRG CLASS REV B	CCJB376BMKM	