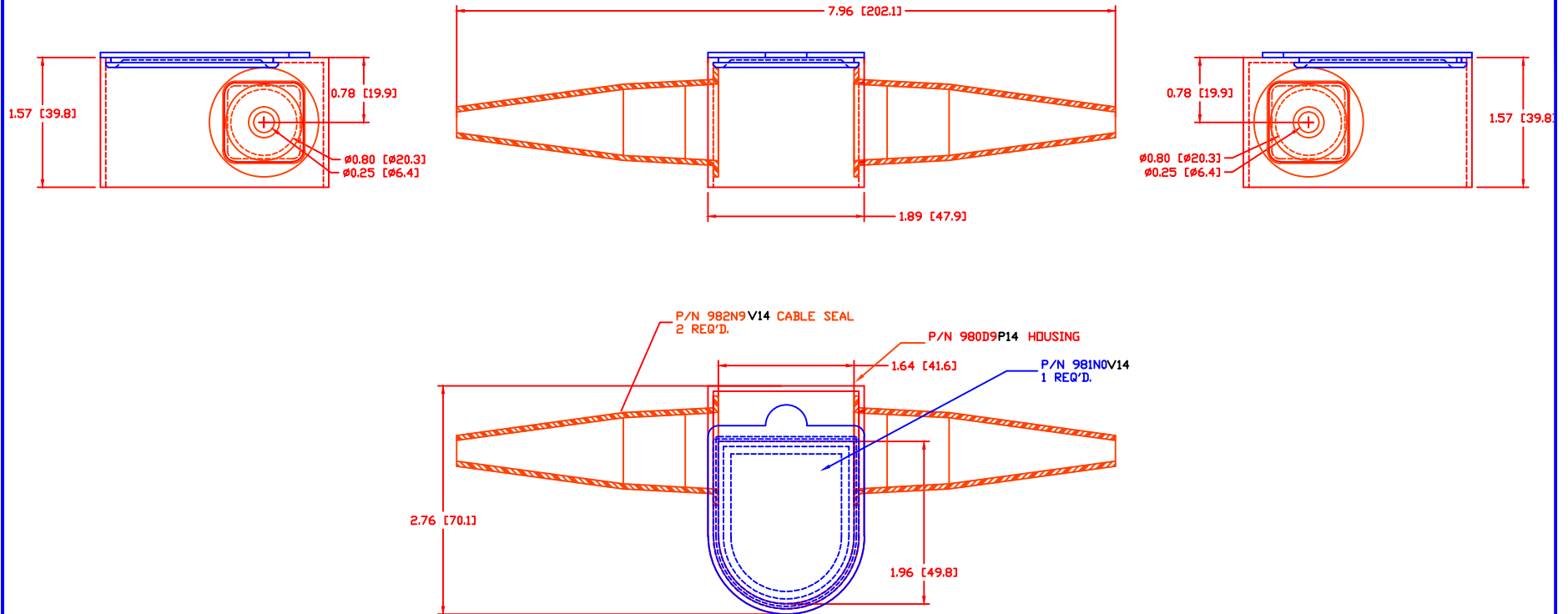


THE INFORMATION CONTAINED IN THIS DRAWING IS THE SOLE PROPERTY OF VTE INCORPORATED. ANY REPRODUCTION IN PART OR WHOLE WITHOUT THE WRITTEN PERMISSION OF VTE INCORPORATED IS PROHIBITED.

LTR.	REVISIONS	DATE
≡	*****	00-00-98



Housing Material:
VTE Material Part No:
Durometer:
Specific Gravity:
Ult. Elongation %:
Tensile Strength PSI:


Polypropylene
1209720314
110 R-Scale
1.13
2.5
9500
UL94HB

Cable Seal Material:
VTE Material Part No:
Shore Durometer

BLACK PVC
1101650114
"A" 10 SEC. 67/63

U.L. Rating:

94 V2

		VTE Incorporated 5437 Robinson Road, P.O. Box 790 Pellston, Michigan 49769 Telephone: 1-800-527-9256, 231-539-8000 FAX: 231-539-0914	
		REF: *****	DATE: 04-10-01
TITLE: "L-POST" POTTING SHELL			SCALE:
MATERIAL: NOTED		PART NO.	
COLOR: *****	DRG CLASS *****	798D9P14	