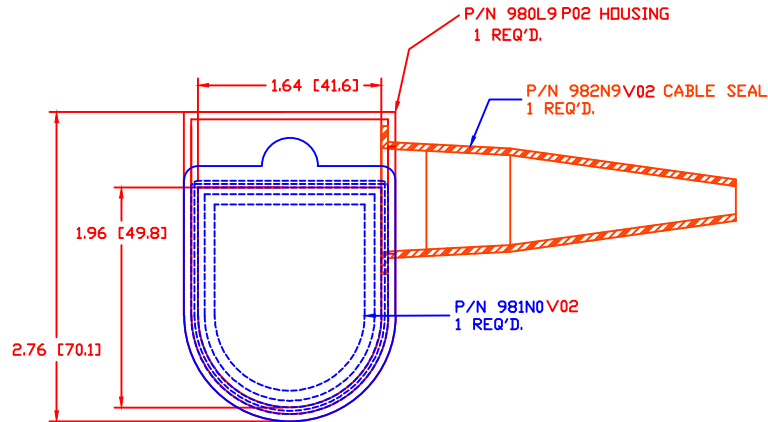
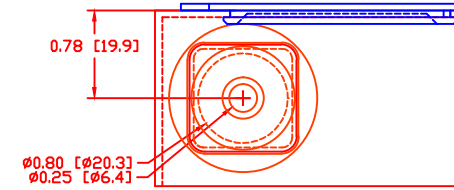
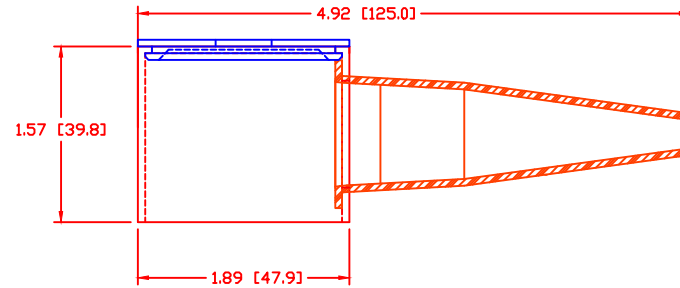



THE INFORMATION CONTAINED IN THIS DRAWING IS THE SOLE PROPERTY OF VTE INCORPORATED. ANY REPRODUCTION IN PART OR WHOLE WITHOUT THE WRITTEN PERMISSION OF VTE INCORPORATED IS PROHIBITED.

LTR.	REVISIONS	DATE
≡	*****	00-00-98



Housing Material:	Polypropylene
VTE Material Part No:	1209750302
Durometer:	110 R-Scale
Specific Gravity:	1.13
Ult. Elongation %:	2.5
Tensile Strength PSI:	9500
	UL94HB
Cable Seal Material:	RED PVC
VTE Material Part No:	1101650102
Shore Durometer	"A" 10 SEC. 67/62
U.L. Rating:	94 V2

		VTE Incorporated 5437 Robinson Road, P.O. Box 790 Pellston, Michigan 49769 Telephone: 1-800-527-9256, 231-539-8000 FAX: 231-539-0914	
		REF: *****	DATE: 04-10-01
TITLE: "L-POST" POTTING SHELL			SCALE:
MATERIAL: NOTED		PART NO.	
COLOR: *****	DRG CLASS *****	798L9 P02	