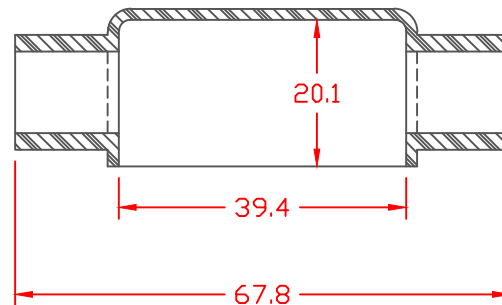
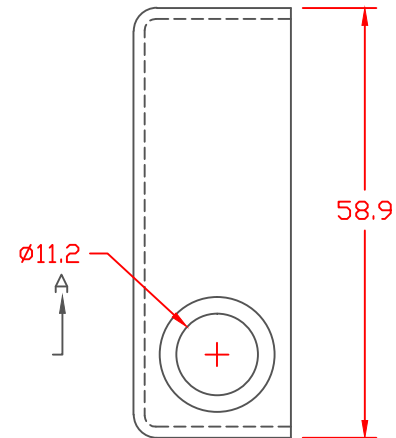
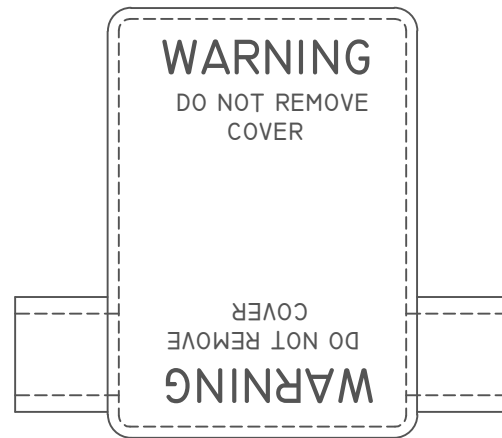
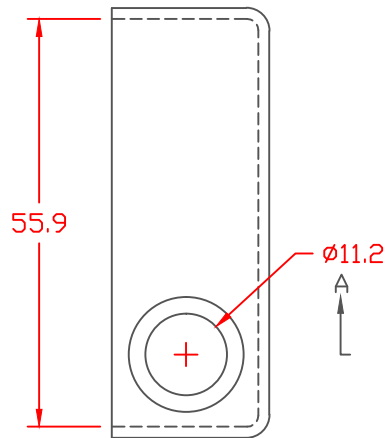


PROPRIETARY RIGHTS ARE CLAIMED FOR THE MATERIAL DISCLOSED IN THIS DRAWING.

TYP. WALL THICKNESS = 1.5

LTR.	REVISIONS	DATE
≠	*****	00-00-98



SECTION A-A

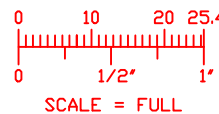
TOLERANCE UNLESS OTHERWISE SPECIFIED: ±0.30"/±0.8mm
 RADIAL DIAMETERS TO BE MEASURED OVER MANDRELS,
 RING GAGES OR PIN GAGES OF SUITABLE SIZE


VTE Material Part No:
 Material:
 Material Part No
 Max. Operating Temp:
 Shore Durometer
 Specific Gravity:
 Ult. Elongation %:
 Brittle Temp:
 Tensile Strength PSI:

1101650102
 RED PVC
 9812-65-RED683
 105 C
 "A" 10 SEC. 67/62
 1.34
 475
 -44 C
 1547 PSI

U.L. Rating:
 MEETS:

94 V2
 FMVSS.302



		VTE Incorporated 5437 Robinson Road, P.O. Box 790 Pellston, Michigan 49769 Telephone: 1-800-527-9256, 231-539-8000 FAX: 231-539-0914	
		REF:	DATE: 4-14-98
TITLE: BATTERY CABLE BOOT			
MATERIAL:		PART NO. DUAL ENTRY	
COLOR:		843D8V02	
DRG CLASS			