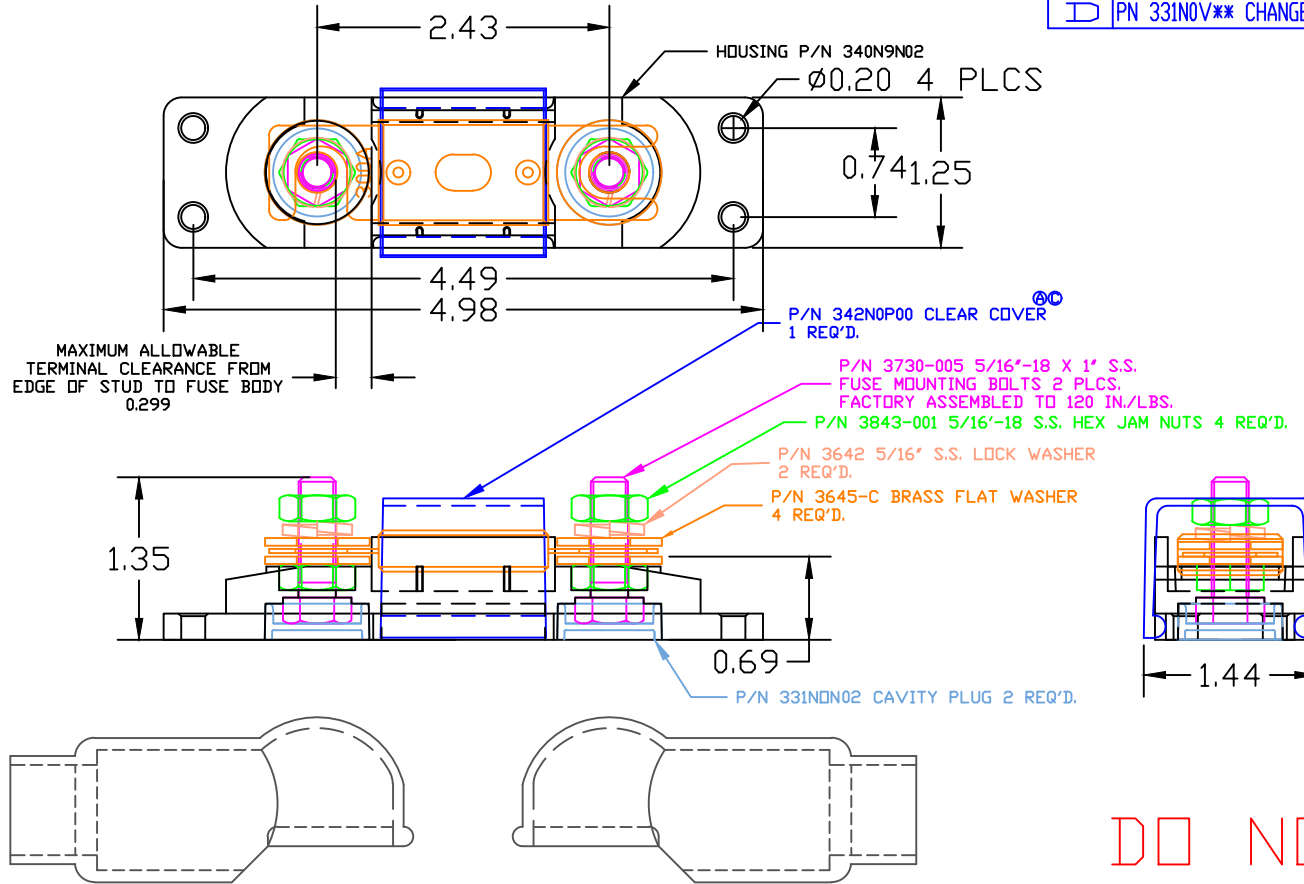


THE INFORMATION CONTAINED IN THIS DRAWING IS THE SOLE PROPERTY OF VTE INCORPORATED. ANY REPRODUCTION IN PART OR WHOLE WITHOUT THE WRITTEN PERMISSION OF VTE INCORPORATED IS PROHIBITED.


LTR.	REVISIONS	DATE	INT
A	342NOV00 WAS 341NOV00	03-13-07	BRH
B	ADDED MAXIMUM AMPERAGE NOTE	06-24-13	BRH
C	342NOP00 WAS 342NOV00	07-30-15	BRH
D	PN 331NOV** CHANGED TO PN 331NON**	08-05-16	MDL



DO NOT SCALE

TOLERANCE UNLESS OTHERWISE SPECIFIED: ±0.30"/±0.8mm  
 RADIAL DIAMETERS TO BE MEASURED OVER MANDRELS,  
 RING GAGES OR PIN GAGES OF SUITABLE SIZE

FUSE NOT INCLUDED  
 ASSEMBLY INCLUDES:  
 2-487N9V02 INSULATORS  
 Ⓢ MAXIMUM RECOMMENDED AMPERAGE: 300 AMPS @ 12 VDC  
 BASE MATERIAL: GLASS-REINFORCED NYLON  
 BASE MATERIAL U.L. RATING: 94 HB  
 BASE COLOR: RED

		<b>VTE Incorporated</b> 5437 Robinson Road, P.O. Box 790 Pellston, Michigan 49769 Telephone: 1-800-527-9256, 231-539-8000 FAX: 231-539-0914	
		REF: *****	DATE: 10NOV04
TITLE: ANL TYPE FUSE HOLDER 4/0 CABLE			SCALE:
MATERIAL:		PART NO.	
COLOR: *****	DRG CLASS *****	ANB740N0N02	