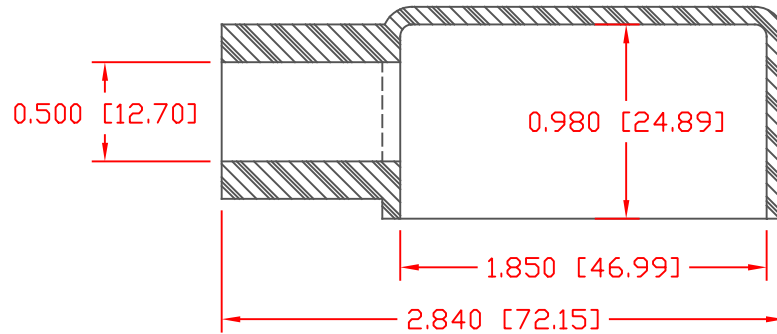
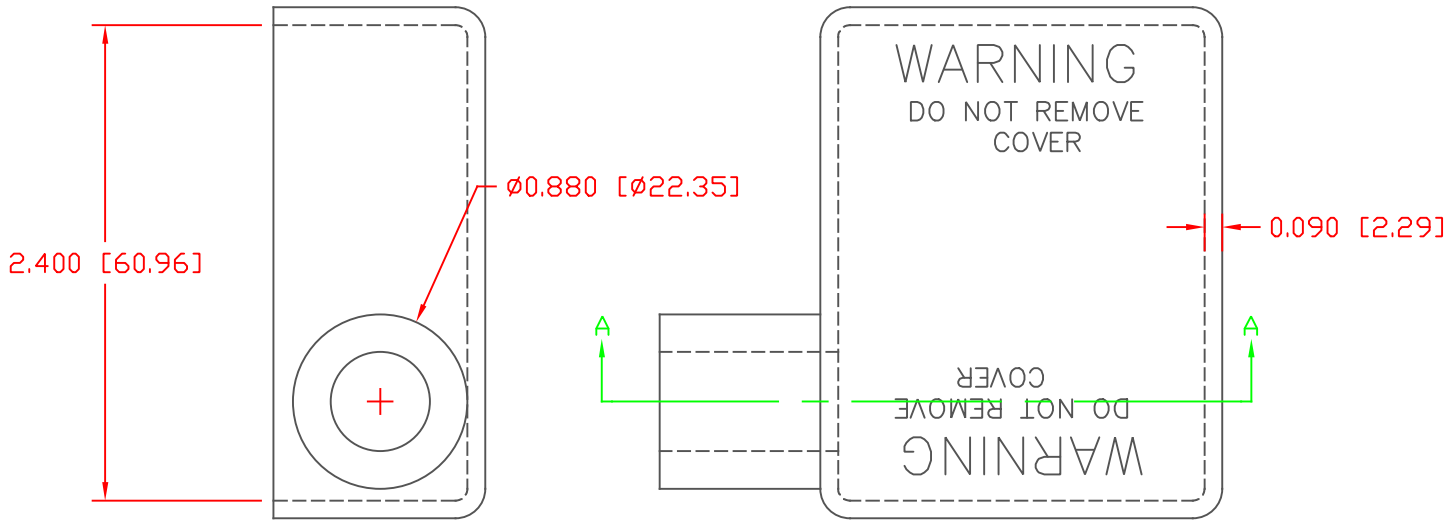


PROPRIETARY RIGHTS ARE CLAIMED FOR THE MATERIAL DISCLOSED IN THIS DRAWING.

LTR.	REVISIONS	DATE



TYP. WALL THICKNESS = 2.3

TOLERANCE UNLESS OTHERWISE SPECIFIED: ±.030"/±0.8mm  
 RADIAL DIAMETERS TO BE MEASURED OVER MANDRELS,  
 RING GAGES OR PIN GAGES OF SUITABLE SIZE

SECTION A-A

VTE Material Part No:  
 Material:  
 Material Part No  
 Max. Operating Temp:  
 Shore Durometer  
 Specific Gravity:  
 Ult. Elongation %:  
 Brittle Temp:  
 Tensile Strength PSI:

1101650114  
 BLACK PVC  
 9812-65  
 105 C  
 "A" 10 SEC. 67/63  
 1.33  
 520  
 -36 C  
 1563 PSI

U.L. Rating:  
 MEETS:

94 V2  
 FMVSS.302



VTE Incorporated  
 5437 Robinson Road, P.O. Box 790  
 Pellston, Michigan 49769  
 Telephone: 1-800-527-9256, 231-539-8000  
 FAX: 231-539-0914

REF:	DATE: 4-6-98	DRN BY: JC	WEIGHT:
		CHK'D BY:	.078 LBS. / 35.5 G.
TITLE: BATTERY CABLE BOOT			
MATERIAL: PVC	PART NO. LEFT HAND		
COLOR: BLACK	DRG CLASS	500L7V14	